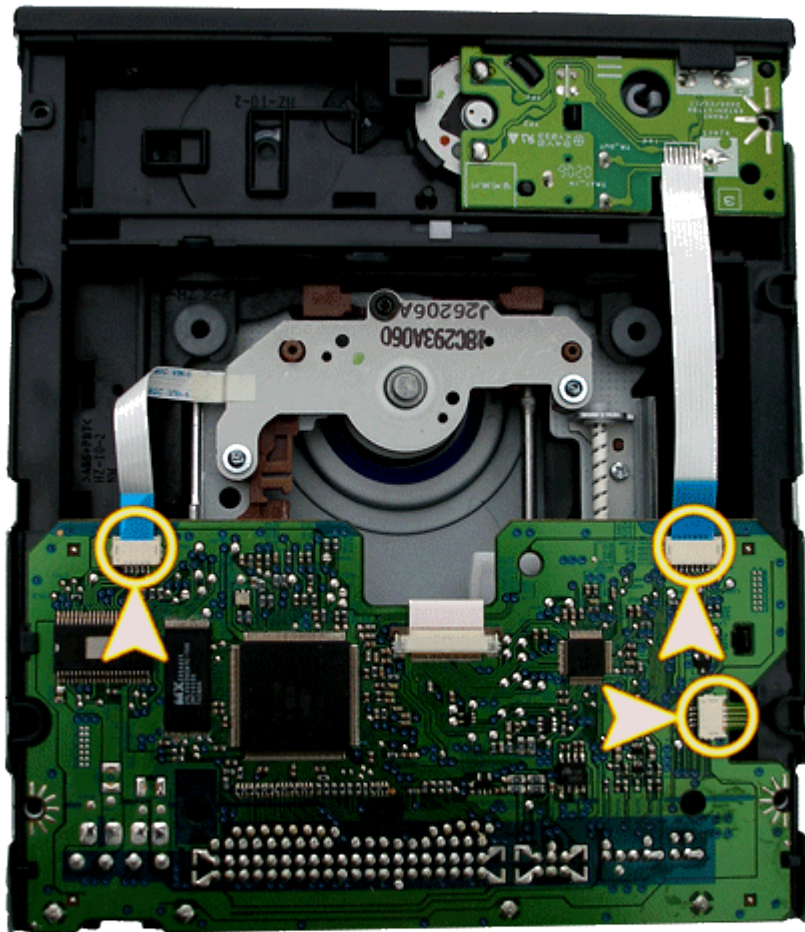


# MANUAL

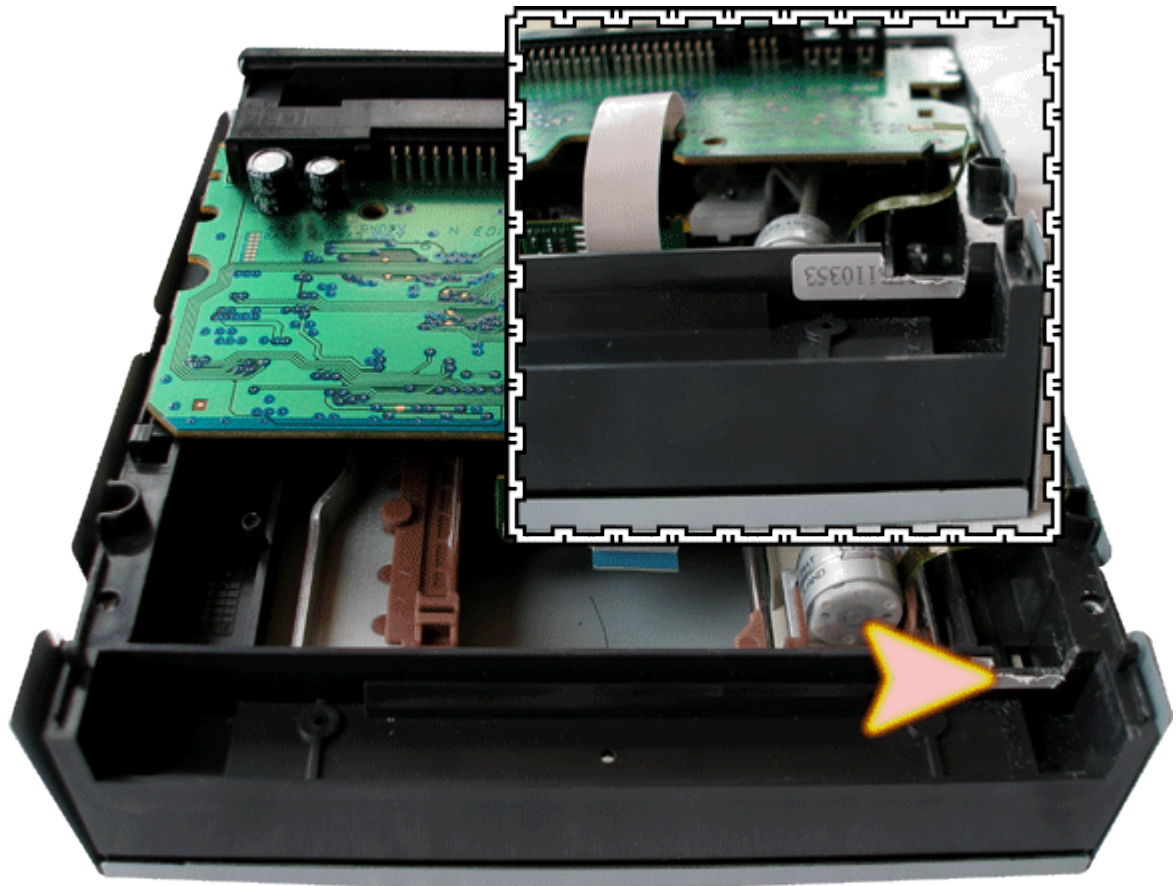
---



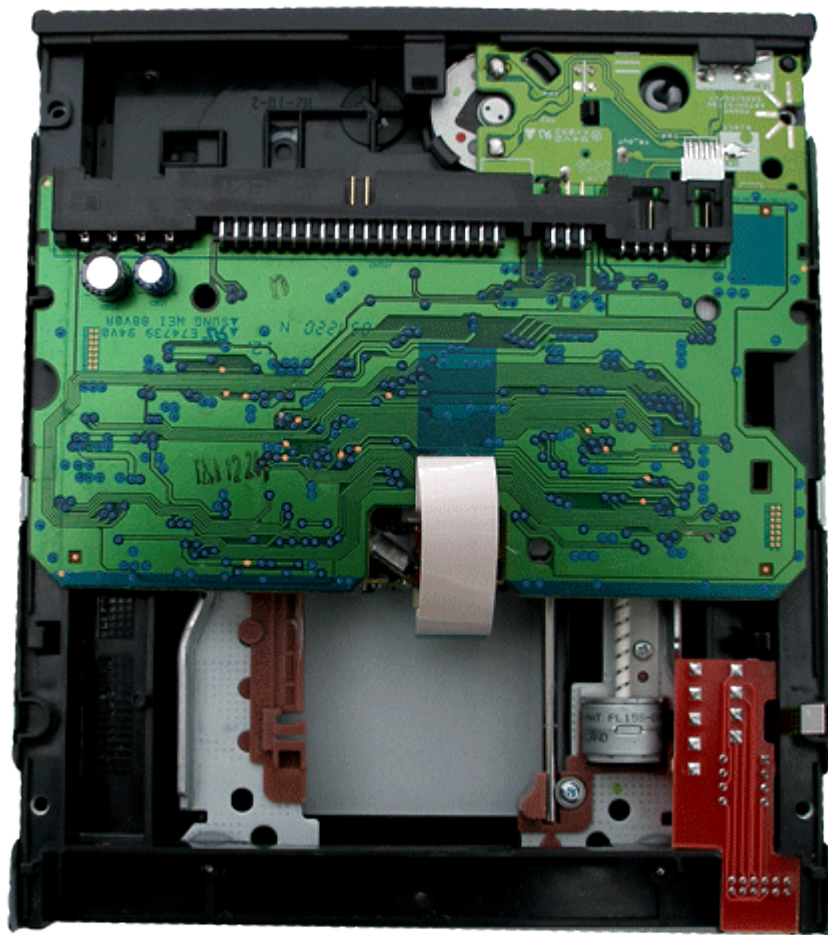
First, open up the drive and remove the 3 cables connected to the PCB.



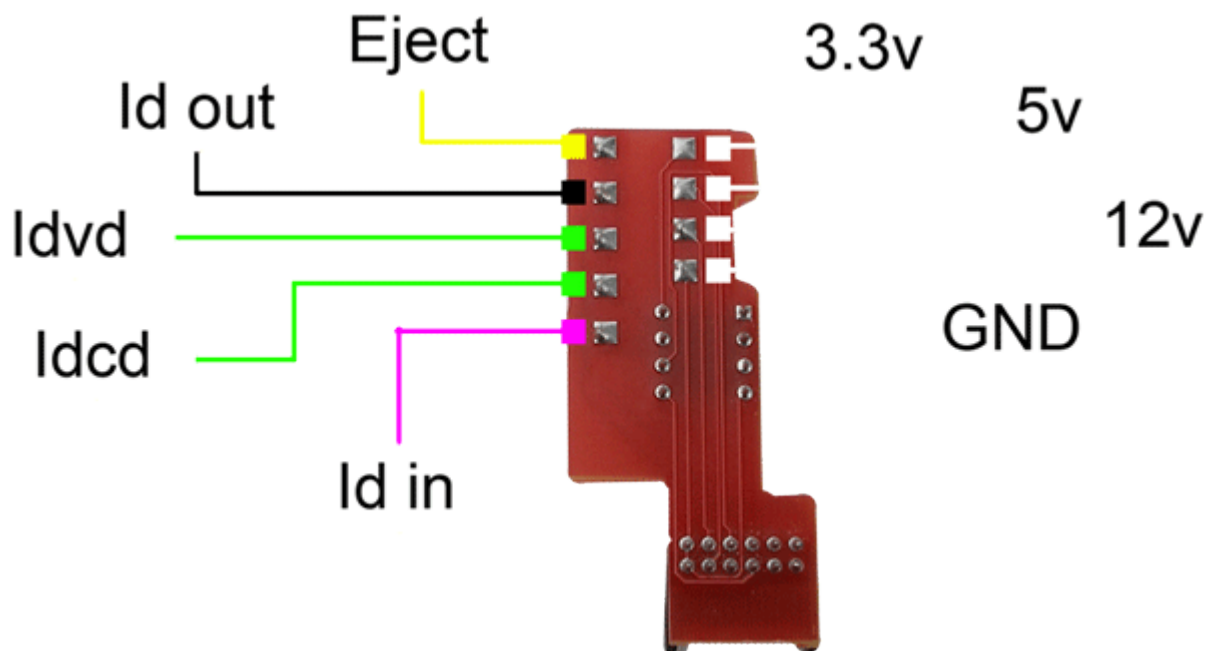
**Then flip over the PCB.**



**Cut out a small piece out of the drive so the narrow part of the adapter fits the drive perfectly. You can use a exacto knife, a file or a dremel.**

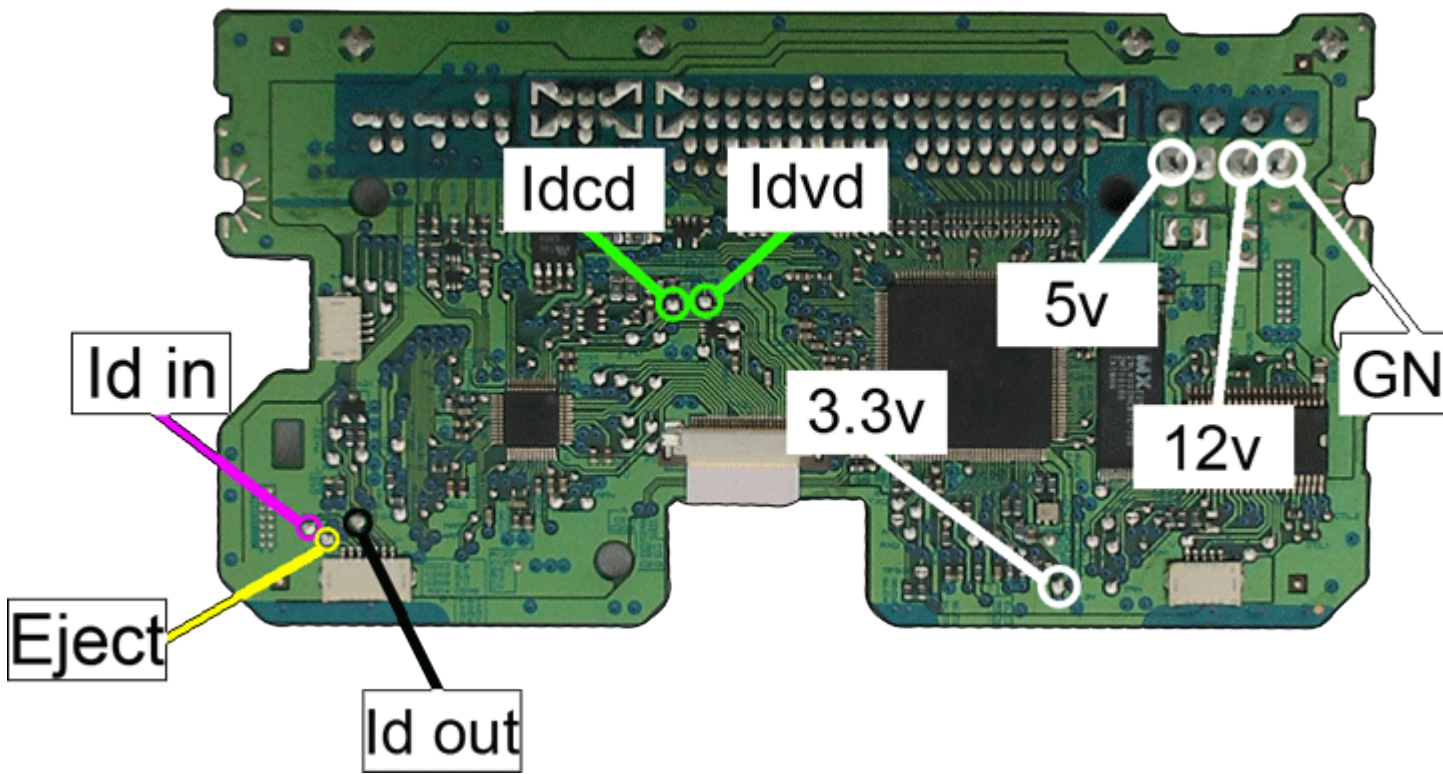


Place the adapter and solder the wires on to the adapter.

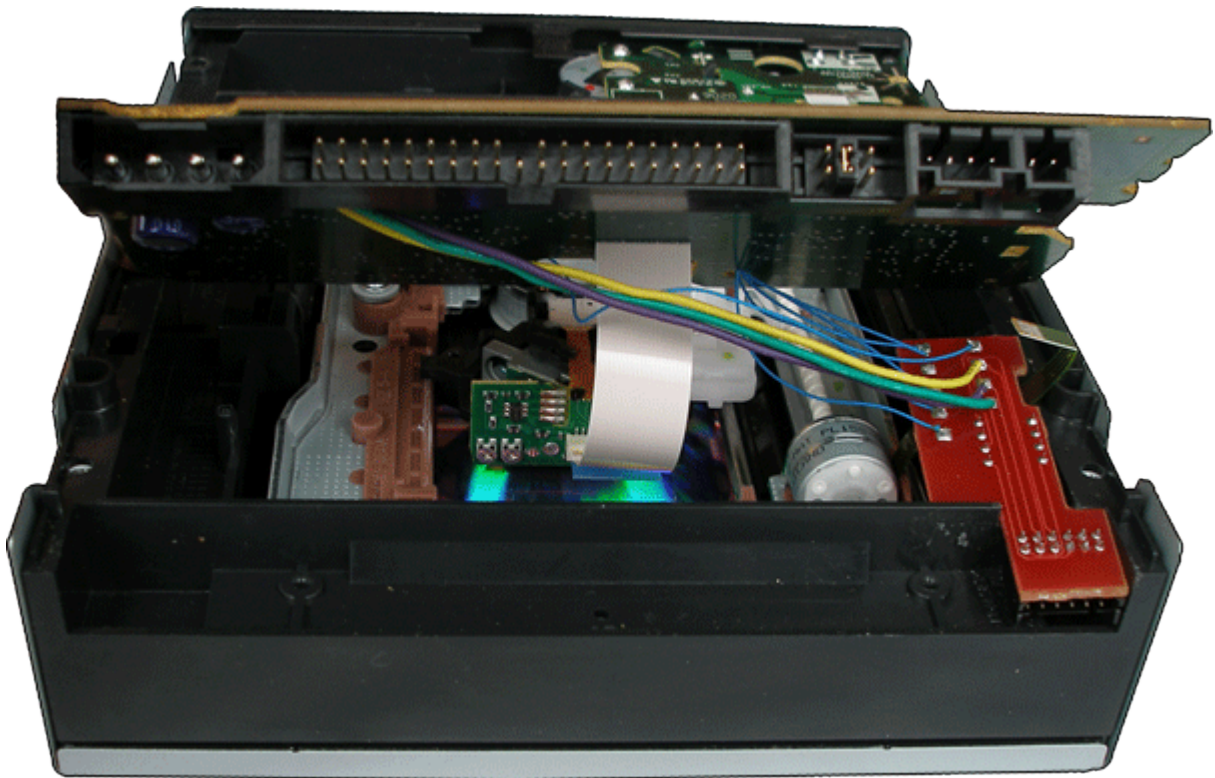


Then pull the wires through the hole and connect them to the 8164 PCB.



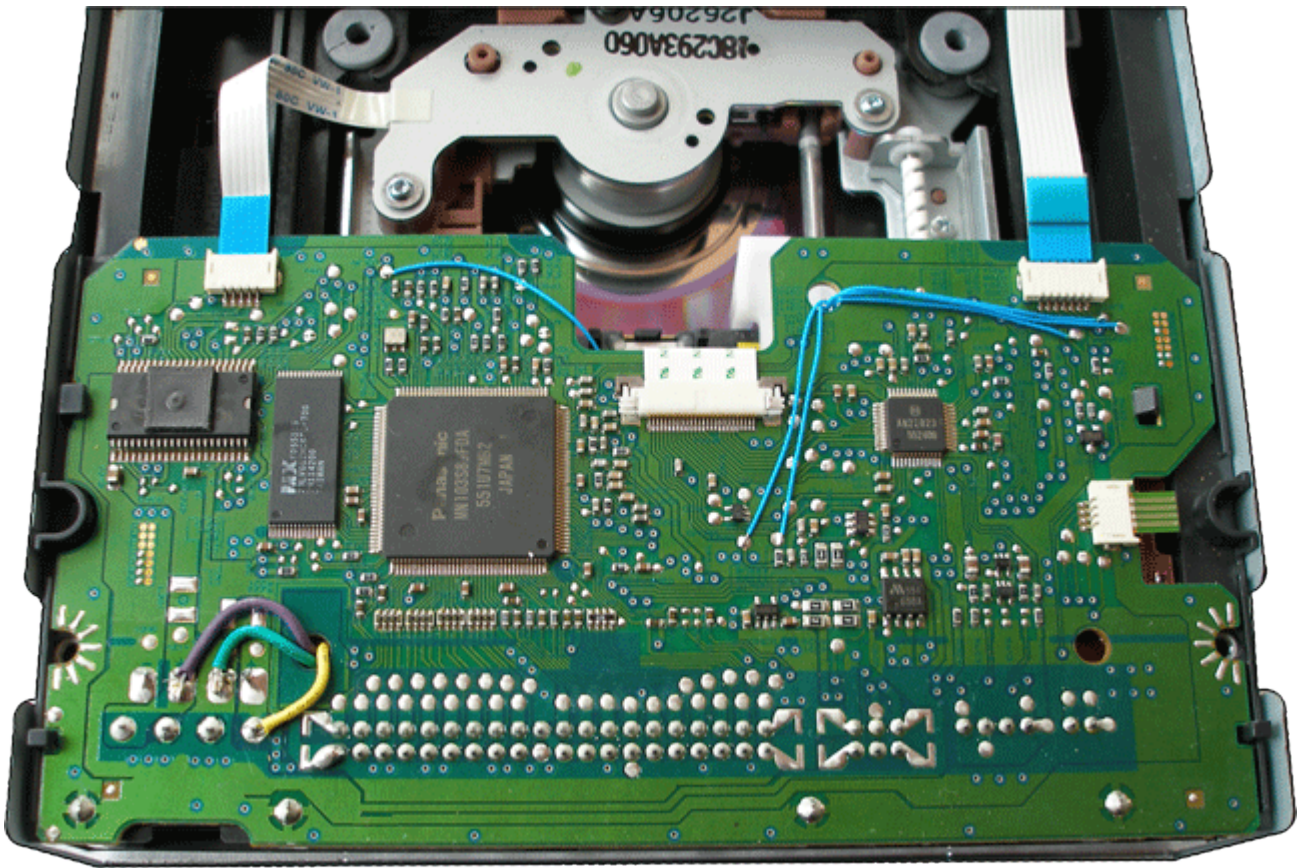


Now put the PCB in place. If the DVD won't close you have to shave of a little bit of the edges close to the connector.



Don't forget to connect the 3 cables to the PCB.





**Congratulations! You now have a brandnew XBOX DVD drive that reads all media perfectly!**

